



Veermata Jijabai Technological Institute

SOCIETY OF ROBOTICS & AUTOMATION

...BRINGING IDEAS TO LIFE

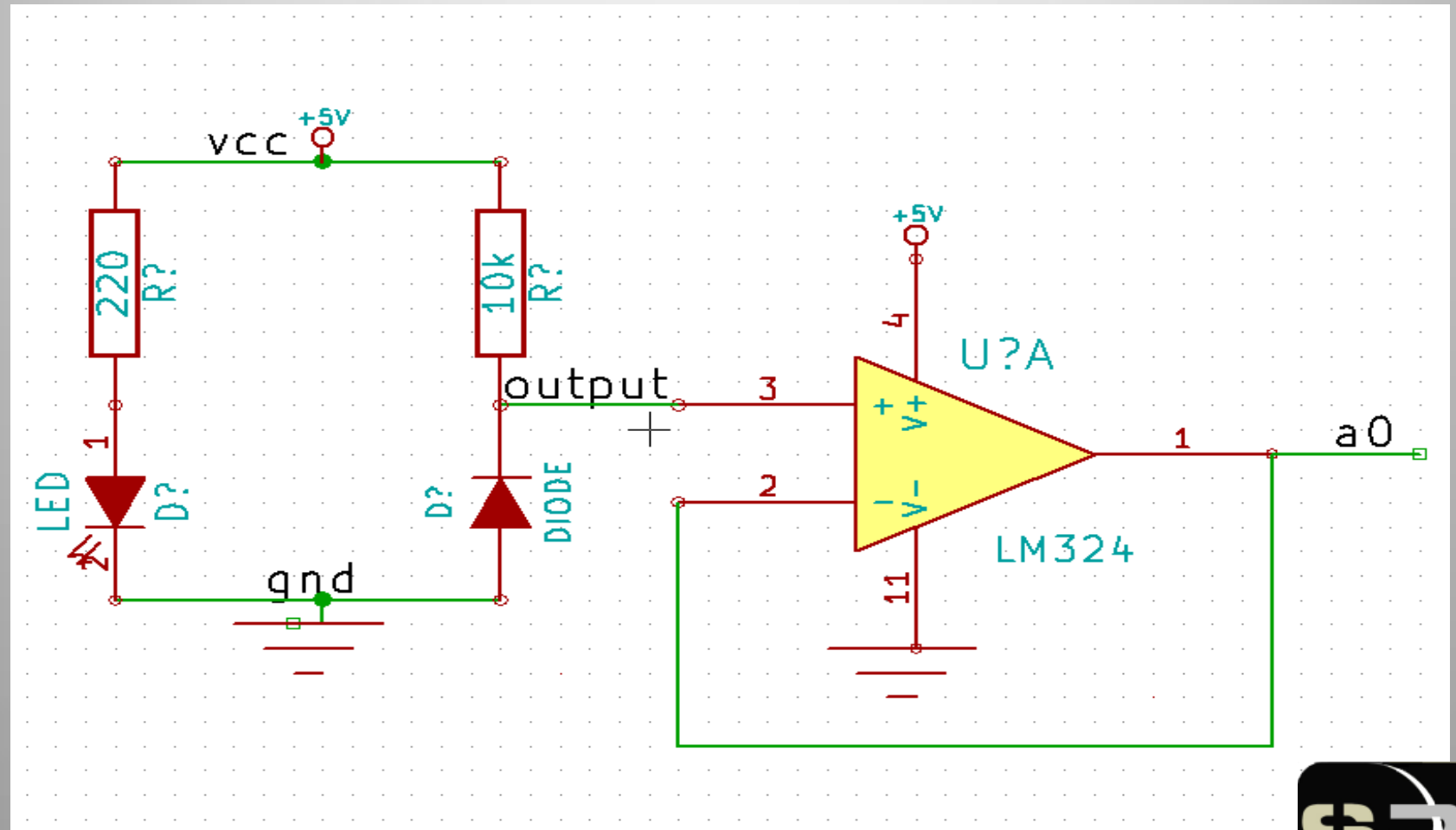
***What is a sensor
board ?***



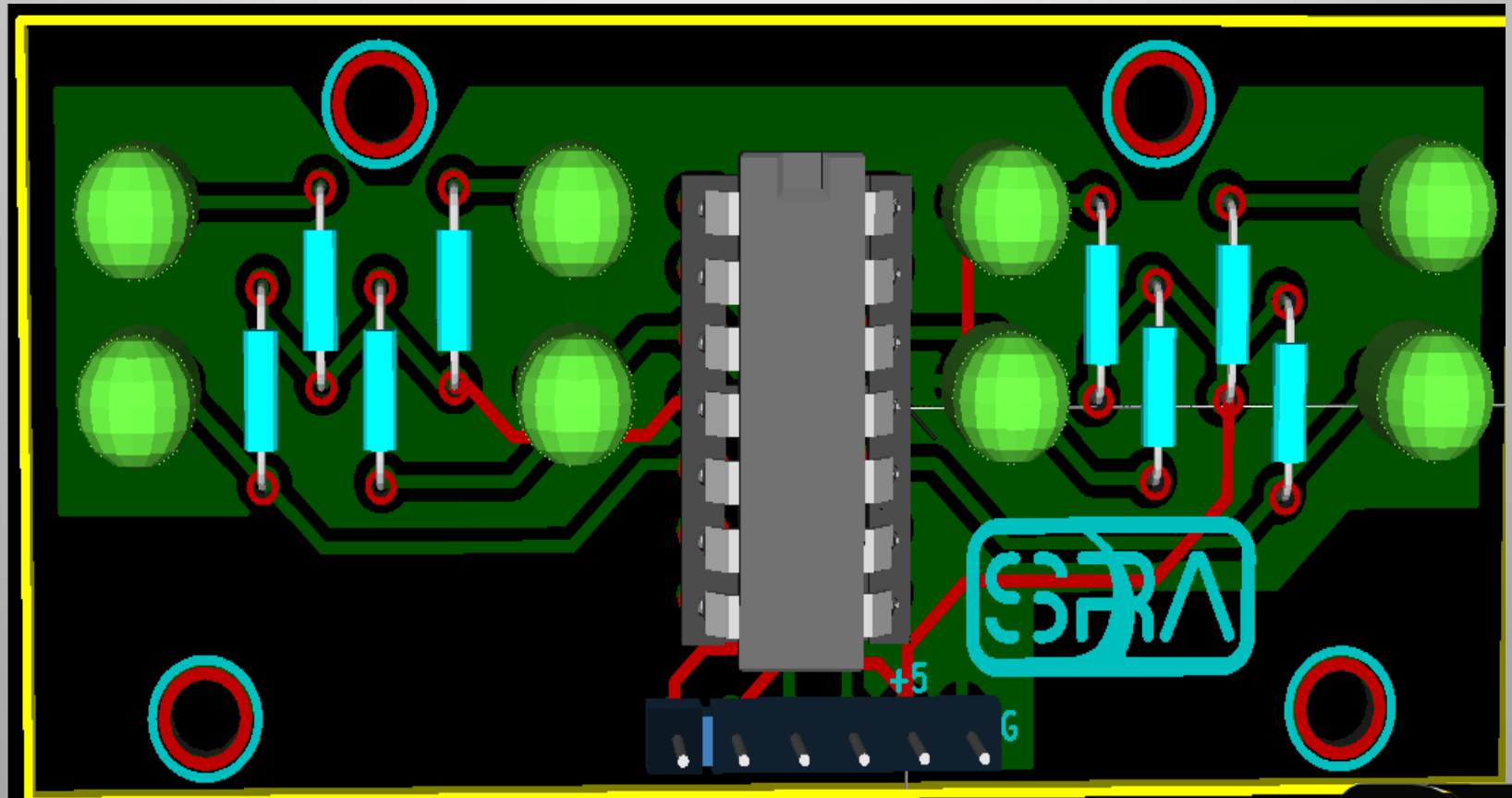
Sensor board



Sensor board schematic

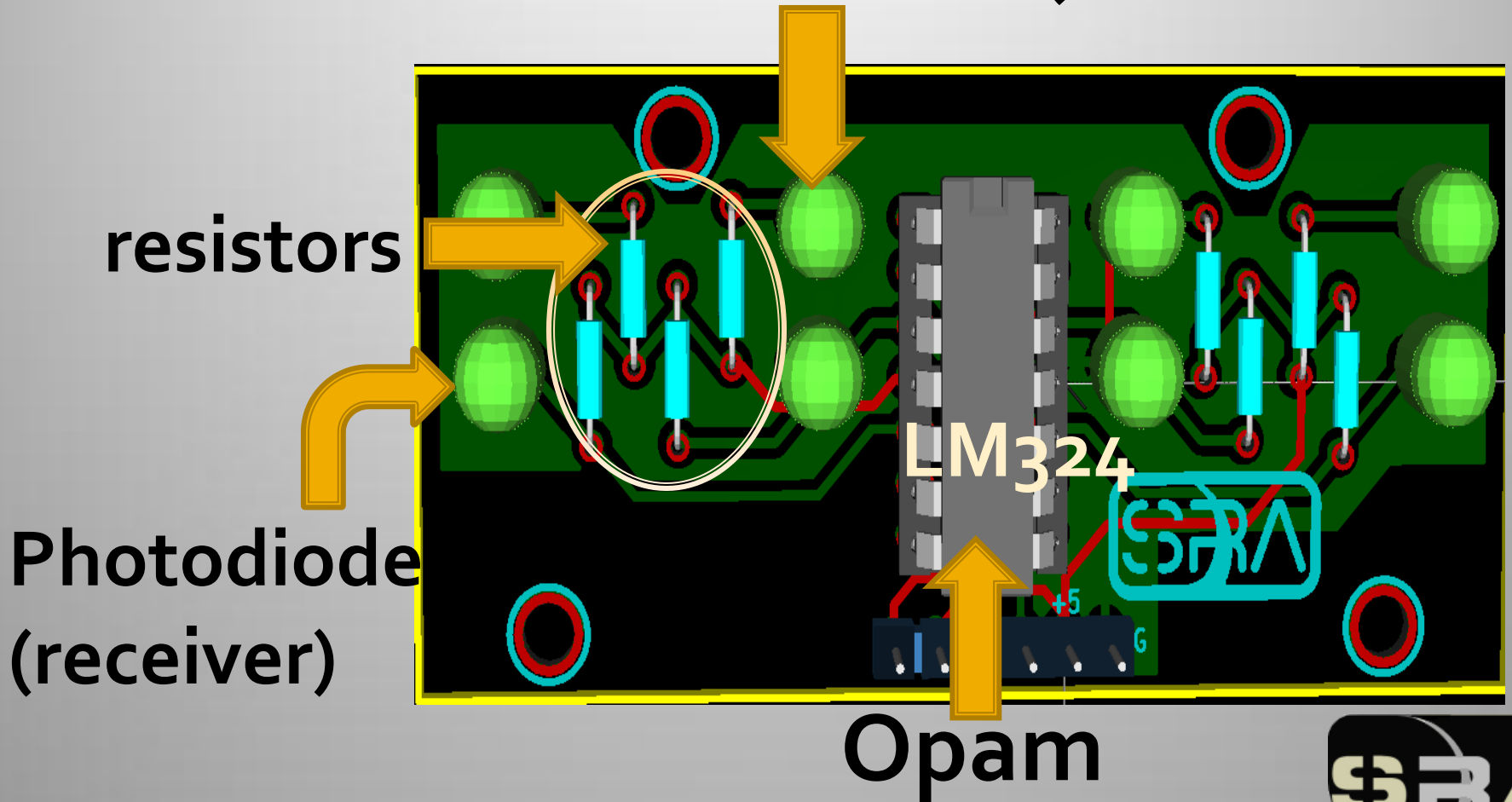


The actual board

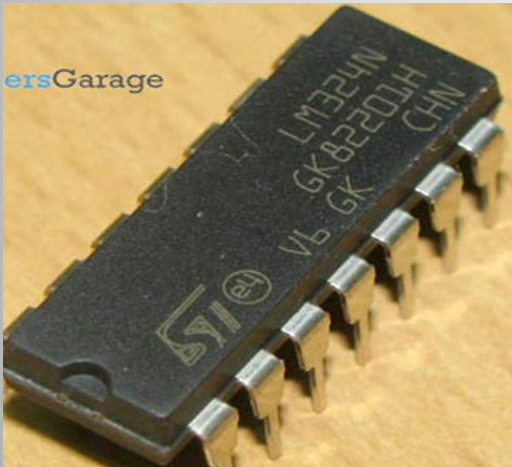


sensor board components

Infrared led(transmitter)



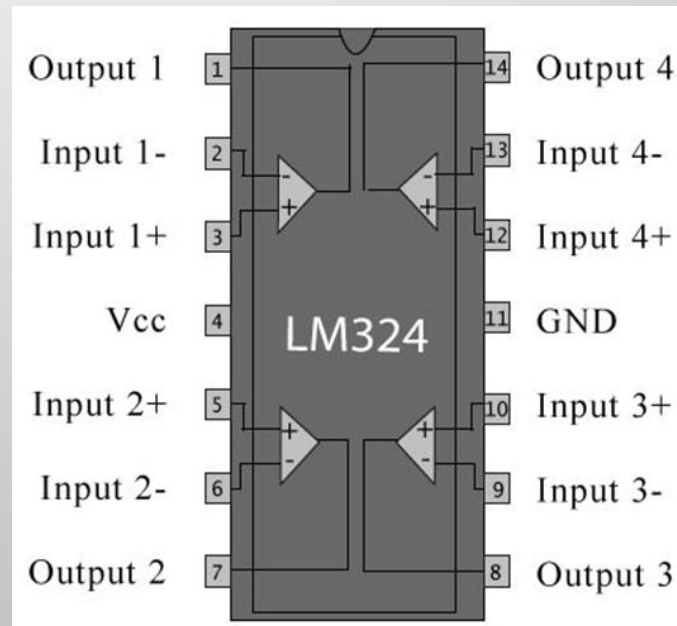
LM324



LM324 is a 14pin IC consisting of four operational amplifiers (op-amps) in a single package. Op-amps are high gain electronic voltage amplifier with differential input and, usually, a single-ended output. The output voltage is many times higher than the voltage difference between input terminals of an op-amp.

- These op-amps are operated by a single power supply LM324

LM324 pin diagram



Sensor board connections

